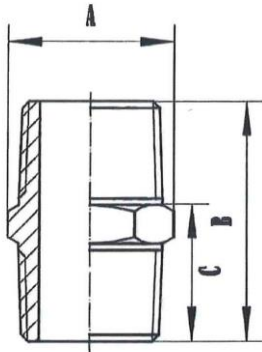


262.06-ES

**Double threaded nipple, hexagonal, standard thread DIN EN ISO 228-1**

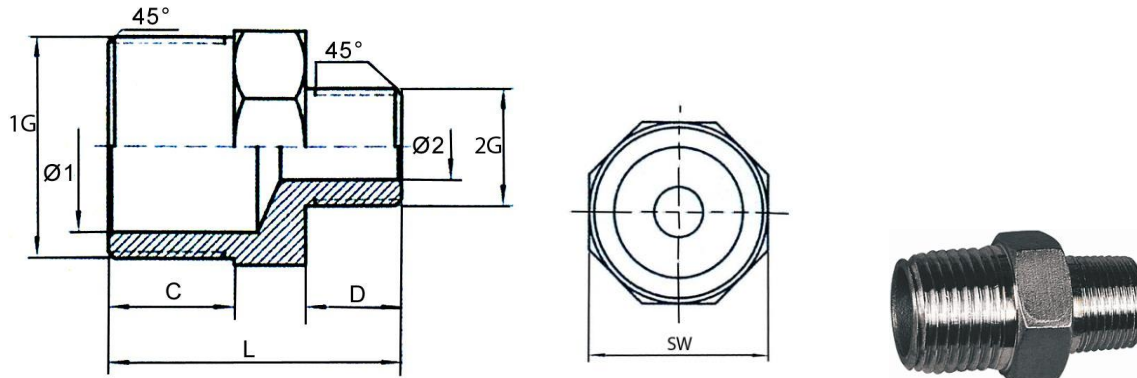
Art. No.	Type No.	Thread	Max. working pressure bar	a/f mm	L1 mm	L2 mm	L3 mm
111806	262.01-ES	G 1/8	20	13	30.0	12.0	12.0
111806 = discontinued product. No longer available. New product 118874 (DGNG18ES4408)							
111807	262.02-ES	G 1/4	20	16	32.0	13.0	13.0
111807 = discontinued product. No longer available. New product 118875 (DGNG14ES4408)							
111808	262.03-ES	G 3/8	20	20	34.0	13.0	13.0
111808 = discontinued product. No longer available. New product 118876 (DGNG38ES4408)							
111809	262.04-ES	G 1/2	20	24	37.5	15.0	15.0
111809 = discontinued product. No longer available. New product 118877 (DGNG12ES4408)							
111810	262.05-ES	G 3/4	20	29	46.0	18.0	18.0
111810 = discontinued product. No longer available. New product 118878 (DGNG34ES4408)							
111811	262.06-ES	G 1	20	35	51.0	19.0	19.0
111811 = discontinued product. No longer available. New product 118879 (DGNG1ES4408)							
111812	262.07-ES	G 1 1/4	20	46	57.0	22.0	22.0
111812 = discontinued product. No longer available. New product 118880 (DGNG114ES4408)							
111813	262.08-ES	G 1 1/2	20	51	58.0	23.0	23.0
111813 = discontinued product. No longer available. New product 118881 (DGNG112ES4408)							
111814	262.09-ES	G 2	20	63	66.9	26.0	26.0
111814 = discontinued product. No longer available. New product 118882 (DGNG2ES4408)							



277.21-ES

**Double threaded nipple**, hexagonal (R 2 to R 3 = octagonal), standard thread ISO 7-1

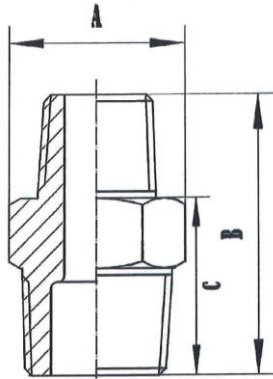
Art. No.	Type No.	Thread	Max. working pressure bar	a/f mm	B=L1 mm	L2 mm	L3 mm
125659	277.01-ES	R 1/8	20	12	29.5	12.5	12.5
125659 = discontinued product. No longer available. New product 118228 (DGNR18ES4408)							
125662	277.04-ES	R 1/4	20	15	28.0	11.5	11.5
125665	277.07-ES	R 3/8	20	18	31.0	13.0	13.0
125668	277.10-ES	R 1/2	20	22	33.5	13.5	13.5
125668 = discontinued product. No longer available. New product 118253 (DGNR12ES4408)							
125671	277.13-ES	R 3/4	20	28	38.0	15.0	15.0
125671 = discontinued product. No longer available. New product 118295 (DGNR34ES4408)							
125675	277.17-ES	R 1	20	35	51.5	24.5	24.5
125675 = discontinued product. No longer available. New product 118317 (DGNR1ES4408)							
125679	277.21-ES	R 1 1/4	20	44	48.5	20.0	20.0
125679 = discontinued product. No longer available. New product 118318 (DGNR114ES4408)							
125682	277.24-ES	R 1 1/2	20	50	48.5	20.0	20.0
125682 = discontinued product. No longer available. New product 118319 (DGNR112ES4408)							
125684	277.26-ES	R 2	20	62	57.0	23.5	23.5
125684 = discontinued product. No longer available. New product 118320 (DGNR2ES4408)							
125687	277.29-ES	R 2 1/2	20	78	67.0	28.0	28.0
125689	277.31-ES	R 3	20	92	75.0	32.0	32.0



268.05-ES

**Double threaded nipple, reduced, hexagonal, standard thread DIN EN ISO 228-1**

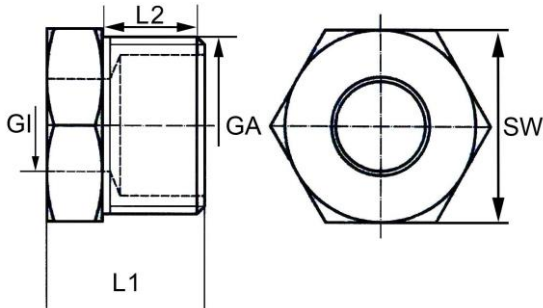
Art. No.	Type No.	Male thread 1	Female thread 2	Max. working pressure bar	Ø1 mm	Ø2 mm	C = L2 mm	D = L3 mm	L = L1 mm	a/f mm
111815	268.01-ES	G 1/4	G 1/8	20	7.9	4.7	12.4	11.0	30.4	15
111815 = discontinued product. No longer available. New product 119197 (DGNG1418ES4408RED)										
111816	268.02-ES	G 3/8	G 1/8	20	10.5	5.7	15.3	12.0	34.2	20
111817	268.03-ES	G 3/8	G 1/4	20	11.2	8.0	15.0	12.8	35.8	20
111817 = discontinued product. No longer available. New product 119237 (DGNG3814ES4408RED)										
111818	268.04-ES	G 1/2	G 1/4	20	14.2	8.0	16.6	13.0	38.0	24
111818 = discontinued product. No longer available. New product 119238 (DGNG1214ES4408RED)										
111819	268.05-ES	G 1/2	G 3/8	20	14.2	10.2	16.7	15.0	40.0	24
111819 = discontinued product. No longer available. New product 119239 (DGNG1238ES4408RED)										
111820	268.06-ES	G 3/4	G 3/8	20	18.9	9.8	17.3	16.0	41.0	27
111820 = discontinued product. No longer available. New product 119240 (DGNG3438ES4408RED)										
111821	268.07-ES	G 3/4	G 1/2	20	18.0	13.5	17.4	16.0	42.9	29
111821 = discontinued product. No longer available. New product 119241 (DGNG3412ES4408RED)										
111822	268.08-ES	G 1	G 1/2	20	25.2	13.5	18.4	17.0	46.0	36
111822 = discontinued product. No longer available. New product 119242 (DGNG112ES4408RED)										
111823	268.09-ES	G 1	G 3/4	20	25.0	18.1	18.8	16.5	46.0	36
111823 = discontinued product. No longer available. New product 119252 (DGNG134ES4408RED)										
111824	268.10-ES	G 1 1/4	G 3/4	20	34.4	19.9	20.9	17.5	50.0	45
111825	268.11-ES	G 1 1/4	G 1	20	34.4	25.8	20.9	18.5	51.0	45
111825 = discontinued product. No longer available. New product 119254 (DGNG1141ES4408RED)										
111826	268.12-ES	G 1 1/2	G 1	20	39.7	25.8	22.3	18.5	52.0	51
111826 = discontinued product. No longer available. New product 119274 (DGNG1121ES4408RED)										
111827	268.13-ES	G 1 1/2	G 1 1/4	20	40.2	34.6	22.5	20.7	55.0	51
111827 = discontinued product. No longer available. New product 119275 (DGNG112114ES4408RED)										
111828	268.14-ES	G 2	G 1	20	51.8	25.3	25.6	20.0	58.0	62
111829	268.15-ES	G 2	G 1 1/2	20	51.8	40.1	25.6	21.5	60.0	63
111829 = discontinued product. No longer available. New product 119311 (DGNG2112ES4408RED)										



277.12-ES

**Double threaded nipple, reduced, hexagonal (R 1 1/2 to R 3 = octagonal), standard thread ISO 7-1**

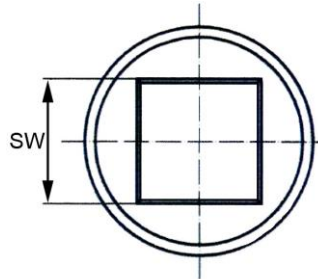
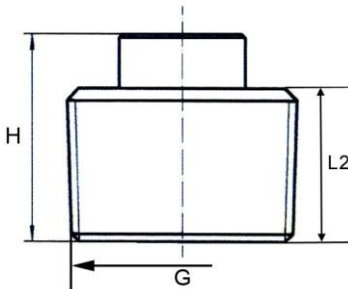
Art. No.	Type No.	Male thread 1	Female thread 2	Max. working pressure bar	a/f mm	B = L1 mm	L2 mm	L3 mm
125660	277.02-ES	R 1/4	R 1/8	20	15	22.5	14.0	14.0
125660 = discontinued product. No longer available. New product 118528 (DGNR1418ES4408RED)								
125661	277.03-ES	R 3/8	R 1/8	20	18	24.0	11.0	8.0
125661 = discontinued product. No longer available. New product 118529 (DGNR3818ES4408RED)								
125663	277.05-ES	R 3/8	R 1/4	20	18	26.5	11.0	10.5
125663 = discontinued product. No longer available. New product 118530 (DGNR3814ES4408RED)								
125664	277.06-ES	R 1/2	R 1/4	20	22	30.0	14.5	10.5
125664 = discontinued product. No longer available. New product 118538 (DGNR1214ES4408RED)								
125666	277.08-ES	R 1/2	R 3/8	20	22	30.5	13.5	11.0
125666 = discontinued product. No longer available. New product 118540 (DGNR1238ES4408RED)								
125669	277.11-ES	R 3/4	R 1/2	20	28	35.5	15.5	14.5
125669 = discontinued product. No longer available. New product 118542 (DGNR3412ES4408RED)								
125667	277.09-ES	R 1	R 3/8	20	34	35.0	18.0	11.0
125667 = discontinued product. No longer available. New product 118555 (DGNR138ES4408RED)								
125670	277.12-ES	R 1	R 1/2	20	34	38.5	18.0	14.5
125670 = discontinued product. No longer available. New product 118543 (DGNR112ES4408RED)								
125672	277.14-ES	R 1	R 3/4	20	34	39.5	18.0	15.5
125672 = discontinued product. No longer available. New product 118544 (DGNR134ES4408RED)								
125673	277.15-ES	R 1 1/4	R 3/4	20	44	42.5	20.5	15.5
125676	277.18-ES	R 1 1/4	R 1	20	44	45.0	21.0	18.0
125676 = discontinued product. No longer available. New product 118546 (DGNR1141ES4408RED)								
125674	277.16-ES	R 1 1/2	R 3/4	20	50	42.5	21.0	15.5
125677	277.19-ES	R 1 1/2	R 1	20	50	45.0	21.0	18.0
125677 = discontinued product. No longer available. New product 118547 (DGNR1121ES4408RED)								
125678	277.20-ES	R 2	R 1	20	61	49.0	24.5	18.0
125678 = discontinued product. No longer available. New product 118556 (DGNR21ES4408RED)								
125680	277.22-ES	R 1 1/2	R 1 1/4	20	50	47.5	20.5	20.5
125680 = discontinued product. No longer available. New product 118548 (DGNR112114ES4408RED)								
125681	277.23-ES	R 2	R 1 1/4	20	61	51.5	24.5	20.5
125681 = discontinued product. No longer available. New product 118549 (DGNR2114ES4408RED)								
125683	277.25-ES	R 2	R 1 1/2	20	61	51.5	24.5	20.5
125683 = discontinued product. No longer available. New product 118550 (DGNR2112ES4408RED)								
125685	277.27-ES	R 2 1/2	R 2	20	78	59.0	27.0	25.0
125686	277.28-ES	R 3	R 2	20	92	73.5	31.5	28.5
125688	277.30-ES	R 3	R 2 1/2	20	92	76.0	31.5	31.5



266.09-ES

### Reducing nipple, hexagonal, standard thread DIN EN ISO

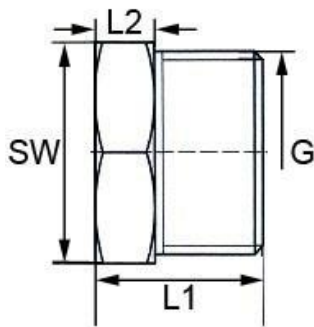
Art. No.	Type No.	Male thread	Female thread	Max. working pressure bar	a/f mm	L1 mm	L2 mm
111830	266.01-ES	G 1/4	G 1/8	20	17	18.1	14.0
111830 = discontinued product. No longer available. New product 118932 (REDNG1418ES4408)							
111831	266.02-ES	G 3/8	G 1/8	20	21	19.0	12.9
111831 = discontinued product. No longer available. New product 118933 (REDNG3818ES4408)							
111832	266.03-ES	G 3/8	G 1/4	20	21	19.0	13.0
111832 = discontinued product. No longer available. New product 118995 (REDNG3814ES4408)							
111833	266.04-ES	G 1/2	G 1/4	20	25	22.0	15.6
111833 = discontinued product. No longer available. New product 119031 (REDNG1214ES4408)							
111834	266.05-ES	G 1/2	G 3/8	20	26	24.7	16.0
111834 = discontinued product. No longer available. New product 119048 (REDNG1238ES4408)							
111835	266.06-ES	G 3/4	G 3/8	20	30	25.0	15.8
111835 = discontinued product. No longer available. New product 119054 (REDNG3438ES4408)							
111836	266.07-ES	G 3/4	G 1/2	20	31	25.0	15.9
111836 = discontinued product. No longer available. New product 119055 (REDNG3412ES4408)							
111837	266.08-ES	G 1	G 1/2	20	37	29.0	20.0
111837 = discontinued product. No longer available. New product 119070 (REDNG112ES4408)							
111838	266.09-ES	G 1	G 3/4	20	38	29.0	20.0
111838 = discontinued product. No longer available. New product 119131 (REDNG134ES4408)							
111839	266.10-ES	G 1 1/4	G 3/4	20	46	30.0	22.4
111839 = discontinued product. No longer available. New product 119135 (REDNG11434ES4408)							
111840	266.11-ES	G 1 1/4	G 1	20	46	30.0	22.2
111840 = discontinued product. No longer available. New product 119138 (REDNG1141ES4408)							
111841	266.12-ES	G 1 1/2	G 1	20	53	32.0	23.0
111841 = discontinued product. No longer available. New product 119140 (REDNG1121ES4408)							
111842	266.13-ES	G 1 1/2	G 1 1/4	20	53	32.0	23.0
111842 = discontinued product. No longer available. New product 119141 (REDNG112114ES4408)							
111843	266.14-ES	G 2	G 1	20	63	36.0	26.0
111843 = discontinued product. No longer available. New product 119145 (REDNG21ES4408)							
111844	266.15-ES	G 2	G 1 1/2	20	63	36.0	26.0
111844 = discontinued product. No longer available. New product 119143 (REDNG2112ES4408)							



260.06-ES

**Plugs, square, standard thread DIN EN ISO 228-1**

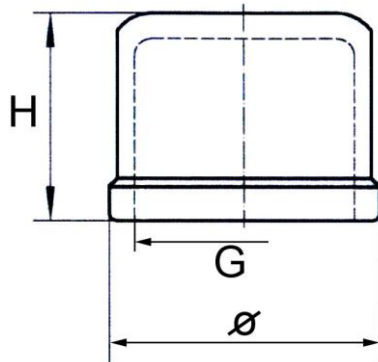
Art. No.	Type No.	Thread	Max. working pressure bar	H mm	L2 mm	a/f mm
111845	260.01-ES	G 1/8	20	13.9	7.0	6
111846	260.02-ES	G 1/4	20	19.4	11.2	9
111847	260.03-ES	G 3/8	20	17.8	10.0	10
111847 = discontinued product. No longer available. New product 118894 (VSTG38ES4408VK)						
111848	260.04-ES	G 1/2	20	25.0	15.8	14
111848 = discontinued product. No longer available. New product 118895 (VSTG12ES4408VK)						
111849	260.05-ES	G 3/4	20	28.0	17.0	17
111849 = discontinued product. No longer available. New product 118896 (VSTG34ES4408VK)						
111850	260.06-ES	G 1	20	31.0	19.0	19
111850 = discontinued product. No longer available. New product 118903 (VSTG1ES4408VK)						
111851	260.07-ES	G 1 1/4	20	35.0	21.9	23
111852	260.08-ES	G 1 1/2	20	36.0	21.9	26
111852 = discontinued product. No longer available. New product 118916 (VSTG112ES4408VK)						
111853	260.09-ES	G 2	20	40.4	25.4	32
111853 = discontinued product. No longer available. New product 118930 (VSTG2ES4408VK)						



261.06-ES

### Plugs, hexagonal, standard thread DIN EN ISO 228-1

Art. No.	Type No.	Thread	Max. working pressure bar	a/f mm	L1 mm	L2 mm
111854	261.01-ES	G 1/8	20	12	17.3	6.3
111854 = discontinued product. No longer available. New product 119320 (VSTG18ES4408SK)						
111855	261.02-ES	G 1/4	20	17	18.3	6.2
111855 = discontinued product. No longer available. New product 119321 (VSTG14ES4408SK)						
111856	261.03-ES	G 3/8	20	21	19.3	6.0
111856 = discontinued product. No longer available. New product 119324 (VSTG38ES4408SK)						
111857	261.04-ES	G 1/2	20	26	22.2	6.0
111857 = discontinued product. No longer available. New product 119325 (VSTG12ES4408SK)						
111858	261.05-ES	G 3/4	20	31	25.2	6.8
111858 = discontinued product. No longer available. New product 119326 (VSTG34ES4408SK)						
111859	261.06-ES	G 1	20	38	27.0	7.3
111859 = discontinued product. No longer available. New product 119327 (VSTG1ES4408SK)						
111860	261.07-ES	G 1 1/4	20	46	30.2	7.7
111860 = discontinued product. No longer available. New product 119328 (VSTG114ES4408SK)						
111861	261.08-ES	G 1 1/2	20	53	32.4	8.8
111861 = discontinued product. No longer available. New product 119329 (VSTG112ES4408SK)						
111862	261.09-ES	G 2	20	63	36.0	10.0
111862 = discontinued product. No longer available. New product 119330 (VSTG2ES4408SK)						

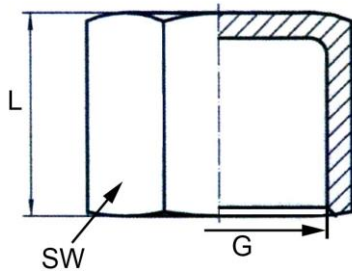


263.06-ES

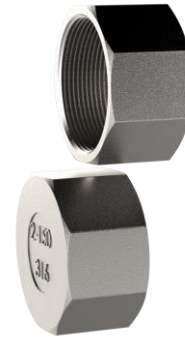
### Caps, round, standard thread DIN EN ISO 228-1

Art. No.	Type No.	Thread	Max. working pressure bar	Ø mm	H mm
111863	263.01-ES	G 1/8	20	14.6	14.0
111864	263.02-ES	G 1/4	20	17.0	15.4
111865	263.03-ES	G 3/8	20	21.0	15.9
111865 = discontinued product. No longer available. New product 118885 (VKG38ES4408RU)					
111866	263.04-ES	G 1/2	20	28.0	20.0
111867	263.05-ES	G 3/4	20	34.0	23.6
111868	263.06-ES	G 1	20	40.0	28.0
111868 = discontinued product. No longer available. New product 118888 (VKG1ES4408RU)					
111869	263.07-ES	G 1 1/4	20	49.0	30.0
111870	263.08-ES	G 1 1/2	20	55.0	31.2
111870 = discontinued product. No longer available. New product 118890 (VKG112ES4408RU)					
111871	263.09-ES	G 2	20	69.0	35.4





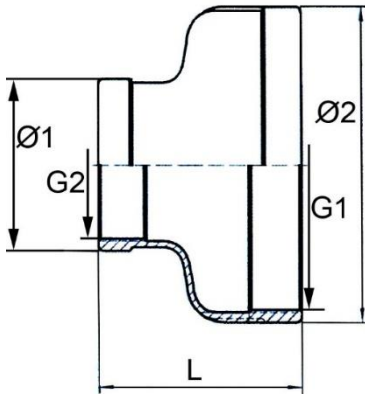
264.03-ES



264.06-ES

**Caps**, hexagonal (G 3/4 to G 2 = octagonal), standard thread DIN EN ISO 228-1

Art. No.	Type No.	Thread	Max. working pressure bar	a/f mm	L mm
111872	264.01-ES	G 1/8	20	13	15.5
111872 = discontinued product. No longer available. New product 119341 (VKG18ES4408SK)					
111873	264.02-ES	G 1/4	20	16	16.0
111874	264.03-ES	G 3/8	20	20	18.0
111874 = discontinued product. No longer available. New product 119343 (VKG38ES4408SK)					
111875	264.04-ES	G 1/2	20	26	22.6
111875 = discontinued product. No longer available. New product 119345 (VKG12ES4408SK)					
111876	264.05-ES	G 3/4	20	32	25.0
111876 = discontinued product. No longer available. New product 119364 (VKG34ES4408SK)					
111877	264.06-ES	G 1	20	40	30.0
111877 = discontinued product. No longer available. New product 119365 (VKG1ES4408SK)					
111878	264.07-ES	G 1 1/4	20	48	31.0
111878 = discontinued product. No longer available. New product 119366 (VKG114ES4408SK)					
111879	264.08-ES	G 1 1/2	20	56	33.0
111880	264.09-ES	G 2	20	66	36.0
111880 = discontinued product. No longer available. New product 119375 (VKG2ES4408SK)					

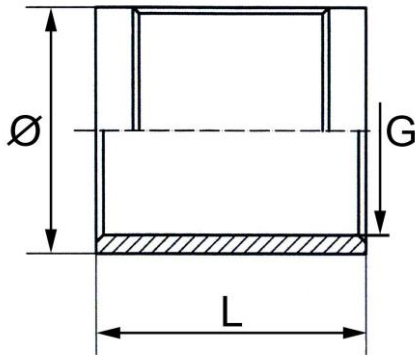


267.07-ES

**Reducing sockets, round, standard thread DIN EN ISO 228-1**

Art. No.	Type No.	Female thread 1	Female thread 2	Max. working pressure bar	Ø1 mm	Ø2 mm	L mm
111881	267.01-ES	G 1/4	G 1/8	20	16.7	20.5	27.0
111881 = discontinued product. No longer available. New product 119149 (REDMG1418ES4408)							
111882	267.02-ES	G 3/8	G 1/8	20	16.7	24.4	28.4
111882 = discontinued product. No longer available. New product 119150 (REDMG3818ES4408)							
111883	267.03-ES	G 3/8	G 1/4	20	21.0	24.5	29.5
111883 = discontinued product. No longer available. New product 119151 (REDMG3814ES4408)							
111884	267.16-ES	G 1/2	G 1/8	20	21.0	28.0	32.0
111884 = discontinued product. No longer available. New product 119196 (REDMG1218ES4408)							
111885	267.04-ES	G 1/2	G 1/4	20	21.0	28.0	32.0
111885 = discontinued product. No longer available. New product 119152 (REDMG1214ES4408)							
111886	267.05-ES	G 1/2	G 3/8	20	21.0	28.0	33.5
111887	267.06-ES	G 3/4	G 3/8	20	23.5	32.8	36.0
111887 = discontinued product. No longer available. New product 119156 (REDMG3438ES4408)							
111888	267.07-ES	G 3/4	G 1/2	20	27.4	32.8	38.5
111888 = discontinued product. No longer available. New product 119157 (REDMG3412ES4408)							
111889	267.17-ES	G 1	G 3/8	20	23.8	40.5	38.8
111889 = discontinued product. No longer available. New product 119184 (REDMG138ES4408)							
111890	267.08-ES	G 1	G 1/2	20	27.4	40.7	40.5
111890 = discontinued product. No longer available. New product 119158 (REDMG112ES4408)							
111891	267.09-ES	G 1	G 3/4	20	32.7	40.7	41.5
111891 = discontinued product. No longer available. New product 119159 (REDMG134ES4408)							
111892	267.18-ES	G 1 1/4	G 1/2	20	27.0	49.5	43.5
111892 = discontinued product. No longer available. New product 119195 (REDMG11412ES4408)							
111893	267.10-ES	G 1 1/4	G 3/4	20	32.7	49.5	45.0
111893 = discontinued product. No longer available. New product 119163 (REDMG11434ES4408)							
111894	267.11-ES	G 1 1/4	G 1	20	40.8	49.5	48.0
111894 = discontinued product. No longer available. New product 119164 (REDMG1141ES4408)							
111895	267.19-ES	G 1 1/2	G 3/4	20	32.3	55.5	47.5
111895 = discontinued product. No longer available. New product 119186 (REDMG11234ES4408)							
111896	267.12-ES	G 1 1/2	G 1	20	40.3	56.0	54.1
111896 = discontinued product. No longer available. New product 119167 (REDMG1121ES4408)							

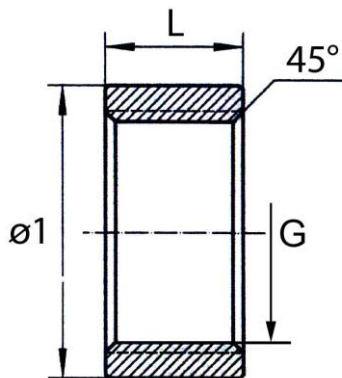
111897	267.13-ES	G 1 1/2	G 1 1/4	20	49.5	56.0	54.0
111897 = discontinued product. No longer available. New product 119169 (REDMG112114ES4408)							
111898	267.14-ES	G 2	G 1	20	40.4	67.7	54.0
111898 = discontinued product. No longer available. New product 119193 (REDMG21ES4408)							
111899	267.20-ES	G 2	G 1 1/4	20	49.0	68.0	57.0
111899 = discontinued product. No longer available. New product 119170 (REDMG2114ES4408)							
111900	267.15-ES	G 2	G 1 1/2	20	55.8	67.7	56.0
111900 = discontinued product. No longer available. New product 119183 (REDMG2112ES4408)							



269.06-ES

### Sockets, round, standard thread DIN EN ISO 228-1

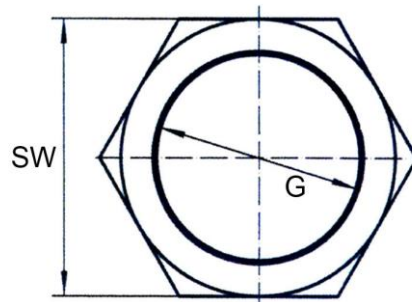
Art. No.	Type No.	Thread	Max. working pressure bar	Ø mm	L mm
111901	269.01-ES	G 1/8	20	16.4	25.0
111901 = discontinued product. No longer available. New product 118769 (MUG18ES4408L)					
111902	269.02-ES	G 1/4	20	19.9	25.4
111902 = discontinued product. No longer available. New product 118772 (MUG14ES4408L)					
111903	269.03-ES	G 3/8	20	23.6	30.0
111903 = discontinued product. No longer available. New product 118774 (MUG38ES4408L)					
111904	269.04-ES	G 1/2	20	27.7	35.0
111904 = discontinued product. No longer available. New product 118775 (MUG12ES4408L)					
111905	269.05-ES	G 3/4	20	32.6	38.6
111905 = discontinued product. No longer available. New product 118780 (MUG34ES4408L)					
111906	269.06-ES	G 1	20	40.4	43.9
111907	269.07-ES	G 1 1/4	20	49.0	50.1
111907 = discontinued product. No longer available. New product 118783 (MUG114ES4408L)					
111908	269.08-ES	G 1 1/2	20	56.0	53.6
111908 = discontinued product. No longer available. New product 118784 (MUG112ES4408L)					
111909	269.09-ES	G 2	20	67.5	63.0
111909 = discontinued product. No longer available. New product 118785 (MUG2ES4408L)					



270.06-ES

**Sockets**, round, short type, standard thread DIN EN ISO 228-1

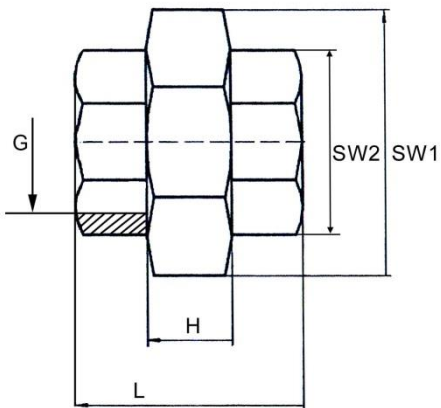
Art. No.	Type No.	Thread	Max. working pressure bar	L mm	Ø1 mm
111910	270.01-ES	G 1/8	20	7.2	13.2
111911	270.02-ES	G 1/4	20	11.2	17.0
111911 = discontinued product. No longer available. New product 119384 (MUG14ES4408K)					
111912	270.03-ES	G 3/8	20	11.8	21.7
111912 = discontinued product. No longer available. New product 119399 (MUG38ES4408K)					
111913	270.04-ES	G 1/2	20	15.0	25.7
111913 = discontinued product. No longer available. New product 119400 (MUG12ES4408K)					
111914	270.05-ES	G 3/4	20	16.0	30.2
111914 = discontinued product. No longer available. New product 119401 (MUG34ES4408K)					
111915	270.06-ES	G 1	20	20.3	37.2
111915 = discontinued product. No longer available. New product 119403 (MUG1ES4408K)					
111916	270.07-ES	G 1 1/4	20	22.4	47.0
111917	270.08-ES	G 1 1/2	20	22.0	53.0
111917 = discontinued product. No longer available. New product 119405 (MUG112ES4408K)					
111918	270.09-ES	G 2	20	26.0	66.0



265.06-ES

### Hexagonal lock nuts, standard thread DIN EN ISO 228-1

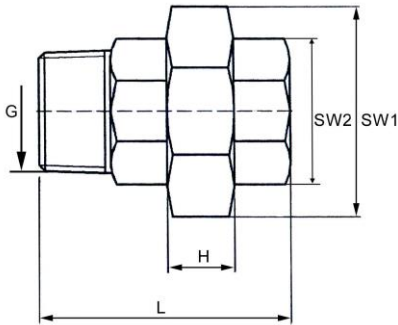
Art. No.	Type No.	Thread	Max. working pressure bar	A mm	a/f mm
111919	265.01-ES	G 1/8	20	6.2	14
111920	265.02-ES	G 1/4	20	7.2	22
111920 = discontinued product. No longer available. New product 119332 (SKMG14ES4408)					
111921	265.03-ES	G 3/8	20	8.0	27
111921 = discontinued product. No longer available. New product 119334 (SKMG38ES4408)					
111922	265.04-ES	G 1/2	20	9.5	32
111922 = discontinued product. No longer available. New product 119335 (SKMG12ES4408)					
111923	265.05-ES	G 3/4	20	9.8	36
111923 = discontinued product. No longer available. New product 119336 (SKMG34ES4408)					
111924	265.06-ES	G 1	20	10.4	46
111924 = discontinued product. No longer available. New product 119337 (SKMG1ES4408)					
111925	265.07-ES	G 1 1/4	20	11.0	55
111925 = discontinued product. No longer available. New product 119338 (SKMG114ES4408)					
111926	265.08-ES	G 1 1/2	20	12.3	60
111926 = discontinued product. No longer available. New product 119339 (SKMG112ES4408)					
111927	265.09-ES	G 2	20	13.0	74
111927 = discontinued product. No longer available. New product 119340 (SKMG2ES4408)					



271.06-ES

### Detachable double threaded nipples, female, taper seat, standard thread DIN EN ISO 228-1

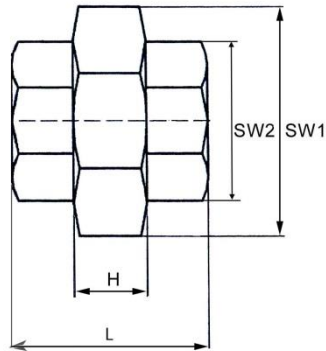
Art. No.	Type No.	Thread	Max. working pressure bar	L mm	H mm	a/f1 mm	a/f2 mm
111928	271.01-ES	G 1/8	10	32.3	13.7	29	18
111929	271.02-ES	G 1/4	10	32.4	13.7	29	18
111929 = discontinued product. No longer available. New product 118786 (LDGNG14ES4408KDII)							
111930	271.03-ES	G 3/8	10	34.7	14.2	34	22
111931	271.04-ES	G 1/2	10	40.0	15.1	39	26
111931 = discontinued product. No longer available. New product 118790 (LDGNG12ES4408KDII)							
111932	271.05-ES	G 3/4	10	42.0	16.0	47	32
111932 = discontinued product. No longer available. New product 118792 (LDGNG34ES4408KDII)							
111933	271.06-ES	G 1	10	48.7	18.0	58	40
111933 = discontinued product. No longer available. New product 118793 (LDGNG1ES4408KDII)							
111934	271.07-ES	G 1 1/4	10	54.0	20.9	67	49
111934 = discontinued product. No longer available. New product 118794 (LDGNG114ES4408KDII)							
111935	271.08-ES	G 1 1/2	10	58.9	23.0	76	56
111936	271.09-ES	G 2	10	62.2	25.0	90	68
111936 = discontinued product. No longer available. New product 118842 (LDGNG2ES4408KDII)							



272.06-ES

### Detachable double threaded nipples, female male, taper seat, standard thread DIN EN ISO 228-1

Art. No.	Type No.	Thread	Max. working pressure bar	L mm	H mm	a/f1 mm	a/f2 mm
111937	272.01-ES	G 1/8	10	42.3	13.6	29	18
111937 = discontinued product. No longer available.							
111938	272.02-ES	G 1/4	10	43.0	13.0	29	18
111939	272.03-ES	G 3/8	10	46.0	14.4	34	22
111939 = discontinued product. No longer available. New product 118856 (LDGNG38ES4408KDIA)							
111940	272.04-ES	G 1/2	10	56.0	15.4	39	26
111940 = discontinued product. No longer available. New product 118857 (LDGNG12ES4408KDIA)							
111941	272.05-ES	G 3/4	10	59.7	16.3	47	32
111941 = discontinued product. No longer available. New product 118858 (LDGNG34ES4408KDIA)							
111942	272.06-ES	G 1	10	67.0	18.6	58	40
111942 = discontinued product. No longer available. New product 118859 (LDGNG1ES4408KDIA)							
111943	272.07-ES	G 1 1/4	10	76.0	20.7	67	49
111943 = discontinued product. No longer available. New product 118860 (LDGNG114ES4408KDIA)							
111944	272.08-ES	G 1 1/2	10	81.0	23.0	76	56
111945	272.09-ES	G 2	10	89.0	24.4	90	68
111945 = discontinued product. No longer available. New product 118862 (LDGNG2ES4408KDIA)							



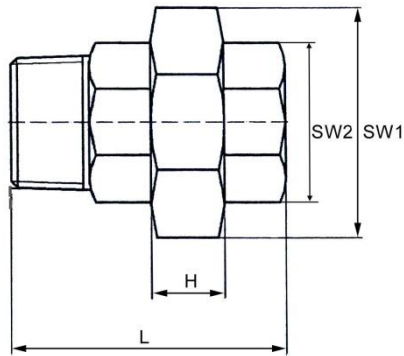
273.06-ES

**Detachable double threaded nipples, female, flat seating (material = PTFE), standard thread DIN EN ISO 228-1**

Sealant: flat seal PTFE

Art. No.	Type No.	Thread	Max. working pressure bar	L mm	H mm	a/f1 mm	a/f2 mm
111946	273.01-ES	G 1/8	10	32.3	13.5	29	18
111946 = discontinued product. No longer available.							
111947	273.02-ES	G 1/4	10	32.4	13.5	29	18
111948	273.03-ES	G 3/8	10	34.7	14.5	34	22
111948 = discontinued product. No longer available. New product 118844 (LDGNG38ES4408FDII)							
111949	273.04-ES	G 1/2	10	40.0	15.5	39	26
111949 = discontinued product. No longer available. New product 118845 (LDGNG12ES4408FDII)							
111950	273.05-ES	G 3/4	10	42.0	16.5	47	32
111951	273.06-ES	G 1	10	48.7	18.2	58	40
111951 = discontinued product. No longer available. New product 118847 (LDGNG1ES4408FDII)							
111952	273.07-ES	G 1 1/4	10	54.0	20.7	67	49
111952 = discontinued product. No longer available. New product 118849 (LDGNG114ES4408FDII)							
111953	273.08-ES	G 1 1/2	10	58.9	23.0	76	56
111954	273.09-ES	G 2	10	62.2	25.0	90	68





274.06-ES

**Detachable double threaded nipples**, female male, flat seating (material = PTFE), standard thread DIN EN ISO 228-1

Sealant: flat seal PTFE

Art. No.	Type No.	Thread	Max. working pressure bar	L mm	H mm	a/f1 mm	a/f2 mm
111955	274.01-ES	G 1/8	10	42.3	13.5	29	18
111956	274.02-ES	G 1/4	10	43.0	13.5	29	18
111956 = discontinued product. No longer available. New product 118863 (LDGNG14ES4408FDIA)							
111957	274.03-ES	G 3/8	10	46.0	14.5	34	22
111958	274.04-ES	G 1/2	10	56.0	15.5	39	26
111958 = discontinued product. No longer available. New product 118868 (LDGNG12ES4408FDIA)							
111959	274.05-ES	G 3/4	10	59.7	16.5	47	32
111959 = discontinued product. No longer available. New product 118869 (LDGNG34ES4408FDIA)							
111960	274.06-ES	G 1	10	67.0	18.2	58	40
111960 = discontinued product. No longer available. New product 118870 (LDGNG1ES4408FDIA)							
111961	274.07-ES	G 1 1/4	10	76.0	20.7	67	49
111961 = discontinued product. No longer available. New product 118871 (LDGNG114ES4408FDIA)							
111962	274.08-ES	G 1 1/2	10	81.0	23.0	76	56
111963	274.09-ES	G 2	10	89.0	25.0	90	68